

Low Loss SAW 137.5 MHz Filter

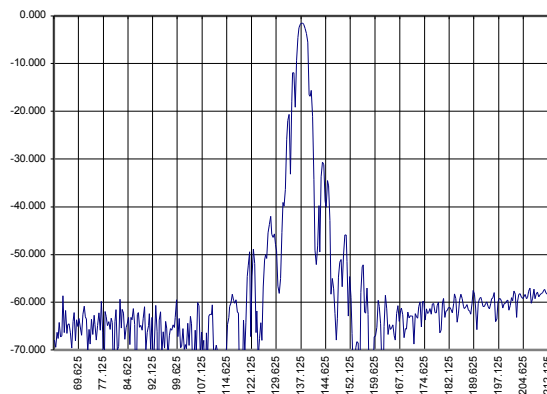
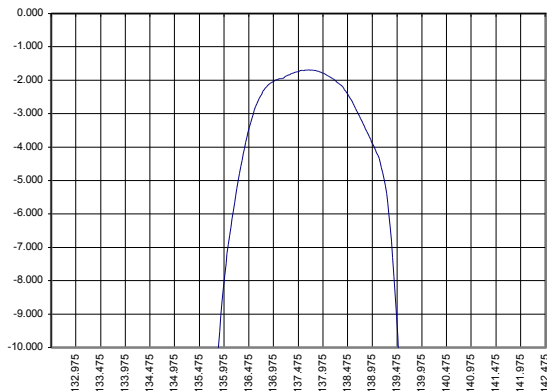
Bandwidth 2.4 MHz

Part Number M023-137.5M1

Complies with Directive 2002/95/EC (RoHS)

PRELIMINARY DATA

Typical performance



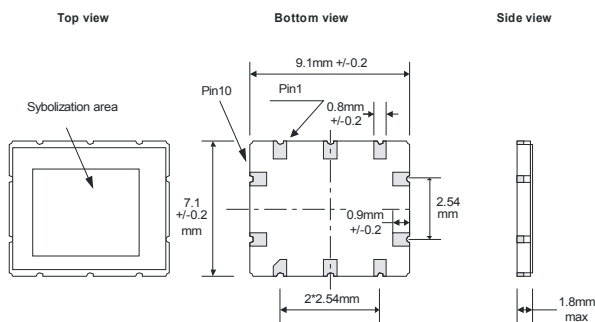
Specifications

Parameter	Unit	Min	Typ	Max
Central frequency	MHz	137.20	137.50	137.80
Inserted loss	dB	1.3	1.6	2.0
Bandwidth @-2dB	MHz	-	2.4	2.8
Bandwidth @-40dB	MHz	-	18	-
Amplitude ripple	dB	-	-	2
Ultimate rejection	dB	-	50	-
Substrate	-	-	128 YX LiNbO3	-
Temperature range	°C	-55	22	85

Notes:

1. The design, manufacturing process, and specifications of this filter are subject to change.
2. Specification valid for measurements in Microsaw test fixture.

Case



Matching

