

## IF SAW 140 MHz Filter

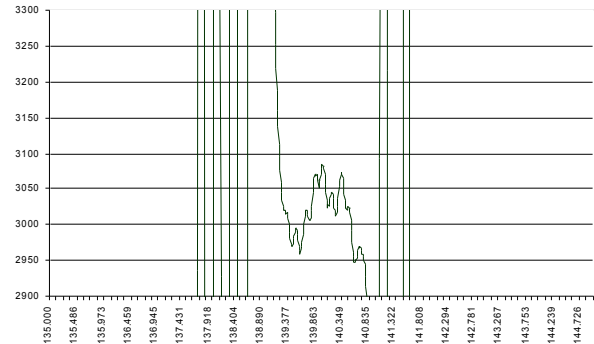
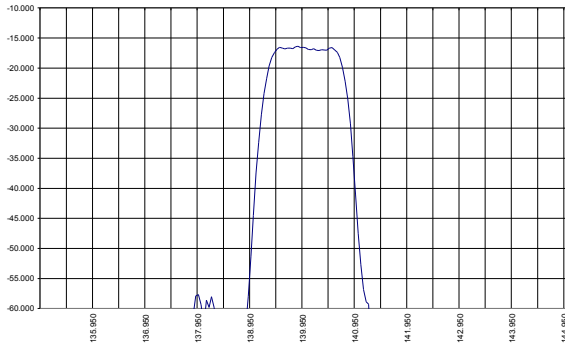
Bandwidth 1.2 MHz

Part Number M065-140M2

Complies with Directive 2002/95/EC (RoHS)

PRELIMINARY DATA

### Typical performance



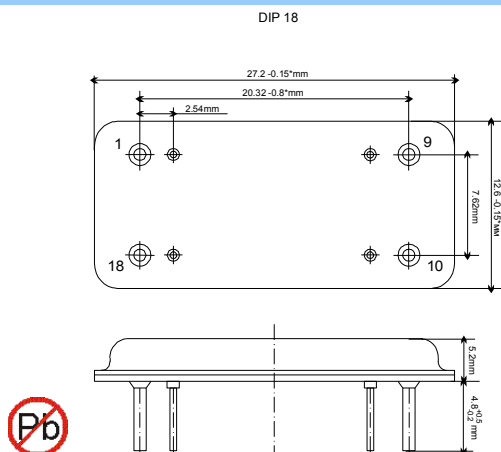
### Specifications

Parameter	Unit	Min	Typ	Max
Central frequency	MHz	139.95	140.00	140.05
Inserted loss	dB	16.0	16.5	17.3
Bandwidth @-1dB	MHz	1.15	1.20	1.28
Bandwidth @-30dB	MHz	-	1.95	2.10
Amplitude ripple (100% @-1 dB bandwidth)	dB	0.7	0.9	1.0
Delay Ripple (100% @-1 dB bandwidth)	nsec	-	130	-
Ultimate rejection	dB	45	50	-
Substrate	-	-	ST Quartz	-
Temperature range	°C	-55	22	85

#### Notes:

1. The design, manufacturing process, and specifications of this filter are subject to change.
2. Specification valid for measurements in Microsaw test fixture.

### Case



### Matching

