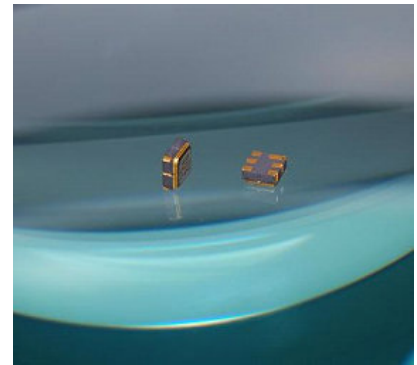


1525 MHz SAW Filter  
 Bandwidth 45.5 MHz

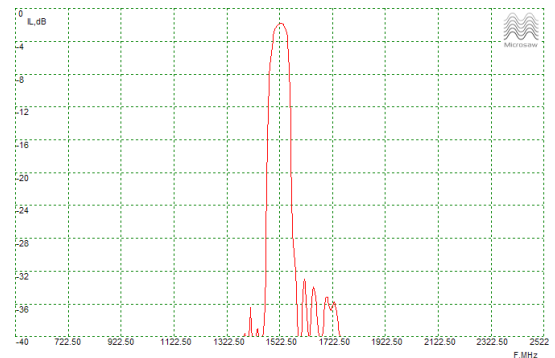
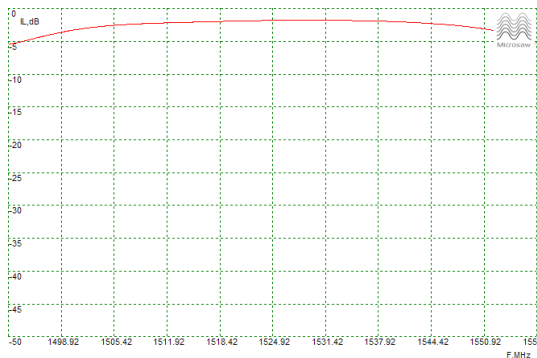
**Features**

- Low Loss
- Small package
- High stability
- Low cost



PRELIMINARY DATA

Typical Performance



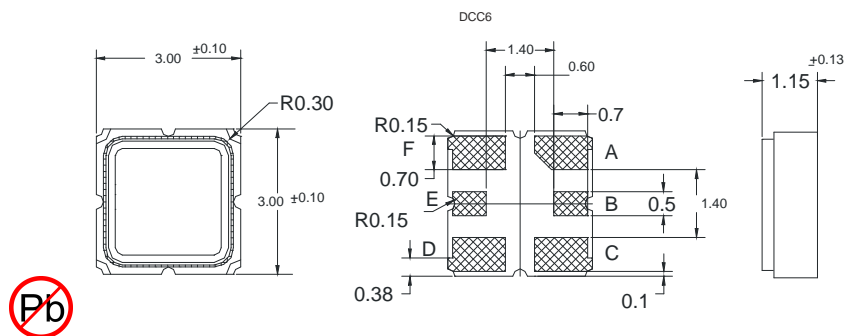
Electrical Specification

Parameter	Unit	Min	Typ	Max
Central frequency	MHz	1523	1525	1527
Inserted loss (unmatched)	dB	-	1.8	-
Bandwidth @-1 dB	MHz	-	45.5	-
Bandwidth @-30 dB	MHz	-	115	-
Amplitude ripple	dB	-	1	-
Ultimate rejection	dB	-	50	-

Notes

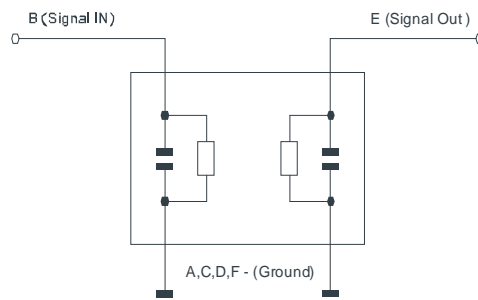
Microsaw reserves the right to make changes to the product and corresponding product specifications without notice. All data is valid for measurements in Microsaw's test fixture under Measurement Conditions: Ambient Temperature 22 °C, Input Power 0 dBm, In put/Output Impedance 50 Ohm.

Package



## Matching Circuit

$Z_{in} = Z_{out} = 50 \text{ Ohm}$   
 No matching required



## Additional Information

Temperature range    -55.. + 85C  
 Substrate                64LNO  
 Package                 DCC6  
 Complies with Directive 2002/95/EC (RoHS)

## Important Warnings

Electric Sensitive Device  
 See soldering chart before using  
 See frequency shifts depending on temperature

## Links to Technical Information

Soldering profile: [www.microwave.fi/pdf/soldering-chart.pdf](http://www.microwave.fi/pdf/soldering-chart.pdf)  
 Frequency shifts: [www.microwave.fi/pdf/frequency-shifts-table.pdf](http://www.microwave.fi/pdf/frequency-shifts-table.pdf)

## Links to Company Information

Services: [www.microwave.fi/servicesandprices.php](http://www.microwave.fi/servicesandprices.php)  
 Contacts: [www.microwave.fi/contacts.php](http://www.microwave.fi/contacts.php)