

IF SAW 162.3 MHz Filter

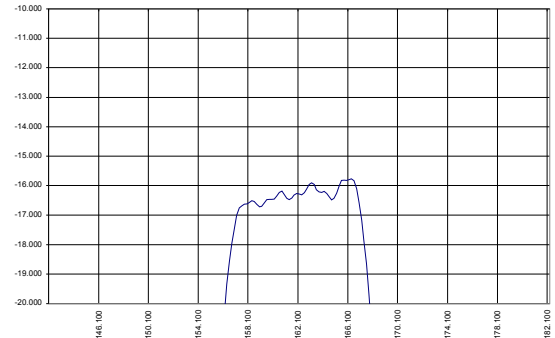
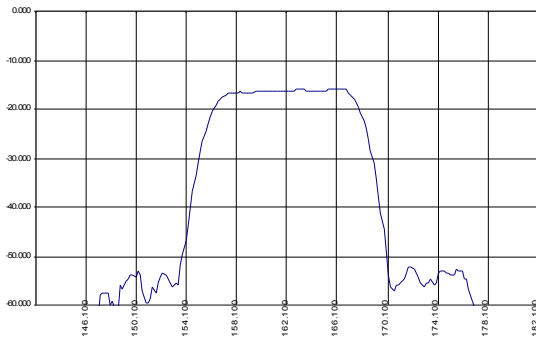
Bandwidth 9.5 MHz

Part Number M006-162.3M1

Complies with Directive 2002/95/EC (RoHS)

PRELIMINARY DATA

Typical performance



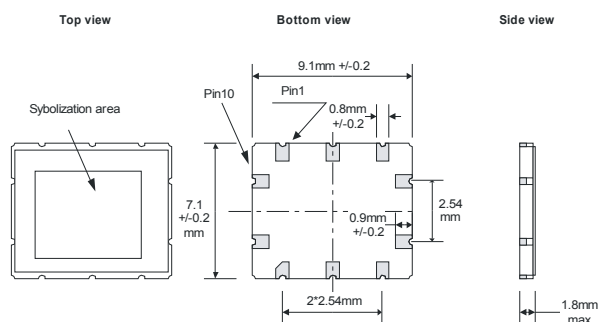
Specifications

Parameter	Unit	Min	Typ	Max
Central frequency	MHz	162.1	162.3	162.5
Inserted loss (unmatched)	dB	15.0	16.0	18.0
Bandwidth @-1.2dB	MHz	9.0	9.5	10.0
Bandwidth @-30dB	MHz	-	19.2	-
Amplitude ripple	dB	0.8	1.0	1.2
Group Delay ripple	nsec	-	25	30
Ultimate rejection	dB	40	-	-
Substrate	-	-	128 YX LiNbO3	-
Temperature range	°C	-55	22	85

Notes:

1. The design, manufacturing process, and specifications of this filter are subject to change.
2. Specification valid for measurements in Microsaw test fixture.

Case



Matching

