

Low IL SAW 173.5 MHz Filter

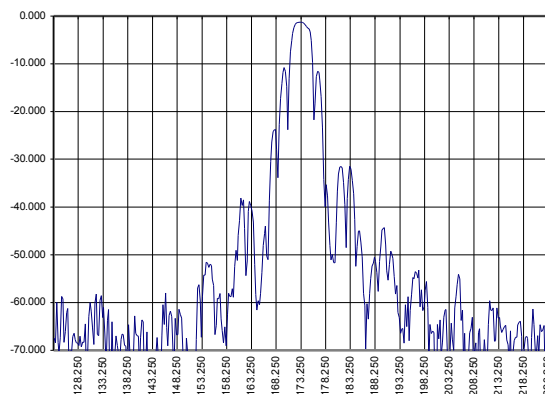
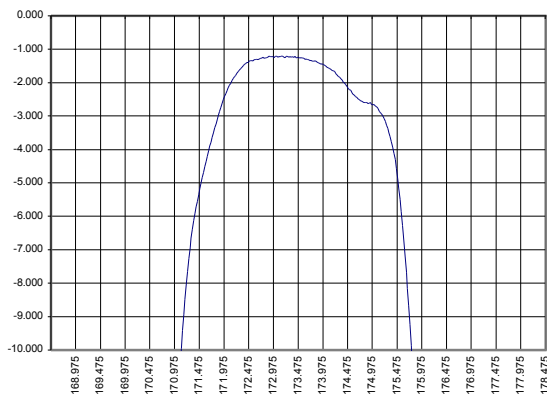
Bandwidth 3.4 MHz

Part Number M022-173.5M1

Complies with Directive 2002/95/EC (RoHS)

PRELIMINARY DATA

Typical performance



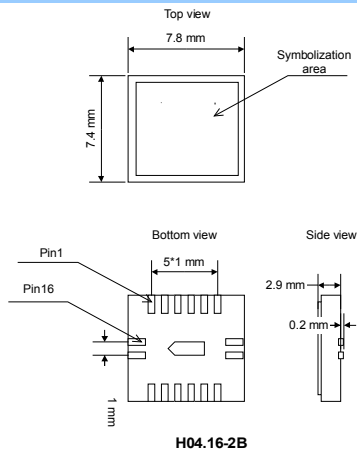
Specifications

Parameter	Unit	Min	Typ	Max
Central frequency	MHz	173.10	173.50	173.90
Inserted loss	dB	1.0	1.2	1.5
Bandwidth @-2dB	MHz	3.0	3.4	-
Bandwidth @-30dB	MHz	-	16.5	-
Amplitude ripple	dB	-	-	2.0
Ultimate rejection	dB	50.0	-	-
Substrate	-	-	128LNO	-
Temperature range	°C	-55	22	85

Notes:

1. The design, manufacturing process, and specifications of this filter are subject to change.
2. Specification valid for measurements in Microsaw test fixture.

Case



Matching

