

# Low Loss SAW 178 MHz Filter

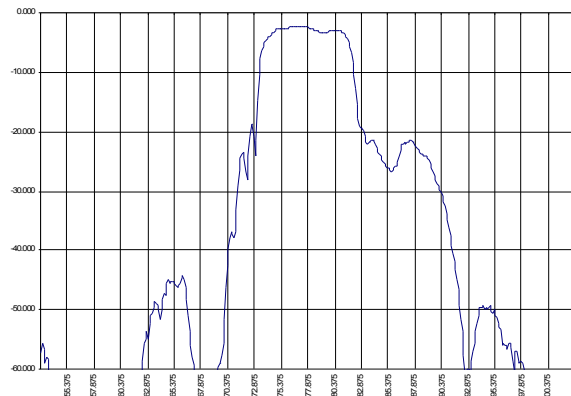
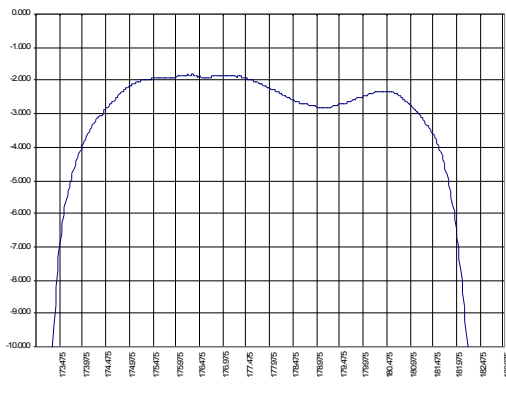
Bandwidth 7.5 MHz

Part Number M055-178M1

Complies with Directive 2002/95/EC (RoHS)

PRELIMINARY DATA

## Typical performance



## Specifications

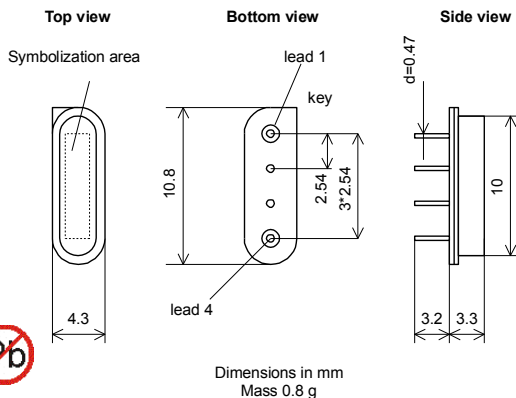
Parameter	Unit	Min	Typ	Max
Central frequency	MHz	177.70	178.00	178.30
Inserted loss (unmatched)	dB	1.6	1.8	2.0
Bandwidth @-2dB	MHz	7.0	7.5	7.8
Bandwidth @-30dB	MHz	-	19.30	-
Amplitude ripple	dB	-	0.8	1.2
Ultimate rejection	dB	45.0	60.0	-
Substrate		-	64LNO	-
Temperature range	°C	-55.0	22.0	85.0

**Notes:**

1. The design, manufacturing process, and specifications of this filter are subject to change.
2. Specification valid for measurements in Microsaw test fixture.

## Case

SIP4M



## Matching

