

## Low Loss SAW 202 MHz Filter

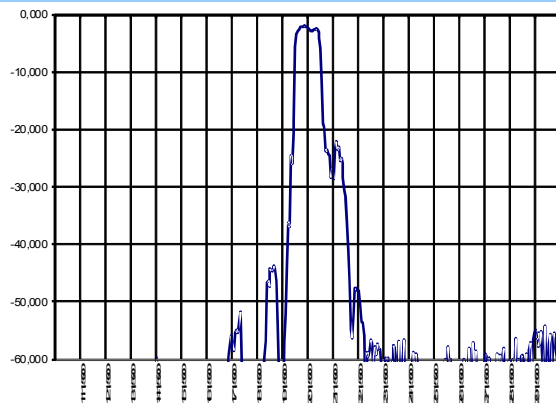
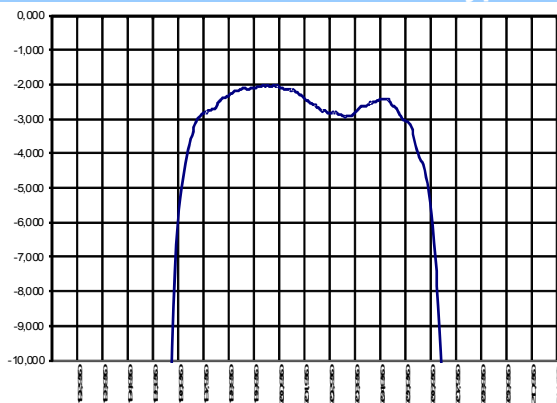
Bandwidth 9.85 MHz

Part Number M055-202M1

Complies with Directive 2002/95/EC (RoHS)

PRELIMINARY DATA

### Typical performance



### Specifications

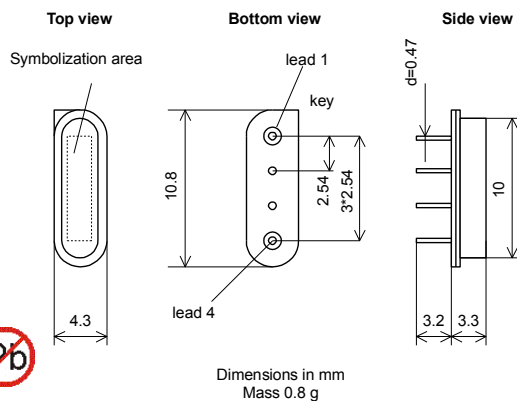
Parameter	Unit	Min	Typ	Max
Central frequency	MHz	201.70	202.00	202.30
Inserted loss (unmatched)	dB	-	2.0	2.1
Bandwidth @-2dB	MHz	9.00	9.85	10.50
Bandwidth @-30dB	MHz	-	22.50	-
Amplitude ripple	dB	-	1.0	1.8
Ultimate rejection	dB	-	60	-
Substrate	-	-	64LNO	-
Temperature range	°C	-55	22	85

#### Notes:

1. The design, manufacturing process, and specifications of this filter are subject to change.
2. Specification valid for measurements in Microsaw test fixture.

### Case

SIP4M



### Matching

