

Low Loss SAW 206.25 MHz Filter

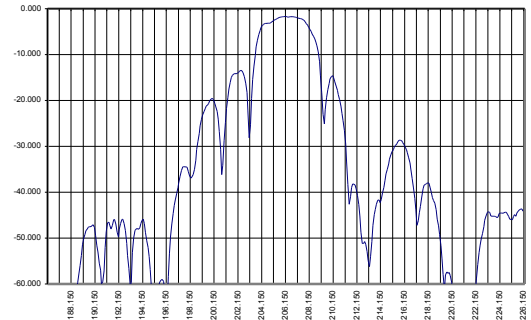
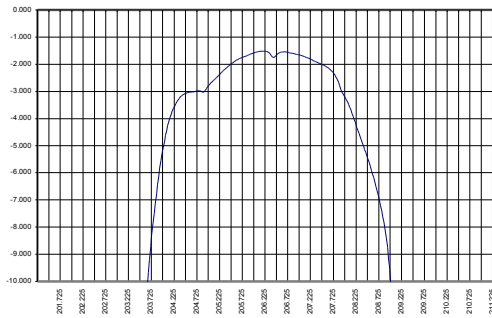
Bandwidth 4.2 MHz

Part Number M022-206.25M1

Complies with Directive 2002/95/EC (RoHS)

PRELIMINARY DATA

Typical performance



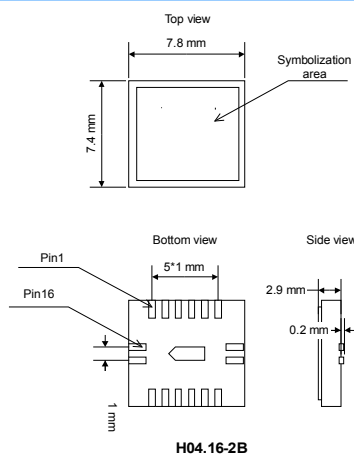
Specifications

Parameter	Unit	Min	Typ	Max
Central frequency	MHz	206.00	206.25	206.50
Inserted loss	dB	1.5	2.2	3.0
Bandwidth @-3dB	MHz		4.2	
Bandwidth @-40dB	MHz	-	25	-
Amplitude ripple	dB	0.8	1.0	2.0
Group Delay ripple	nsec	-	NS	-
Ultimate rejection	dB	50	-	-
Substrate	-	-	128LNO	-
Temperature range	°C	-55	22	85

Notes:

1. The design, manufacturing process, and specifications of this filter are subject to change.
2. Specification valid for measurements in Microsaw test fixture.

Case



Matching

