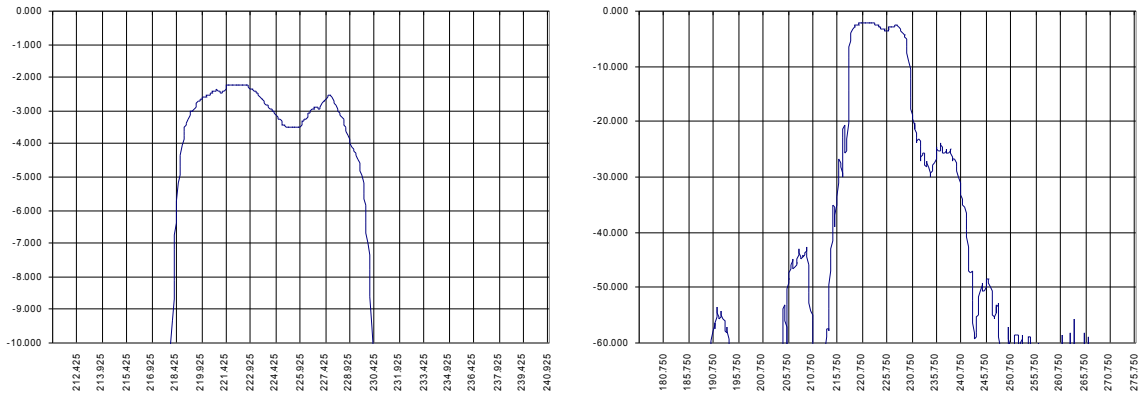


Low Loss SAW 224 MHz Filter

Bandwidth 10.5 MHz

Part Number M055-224M1

Typical performance



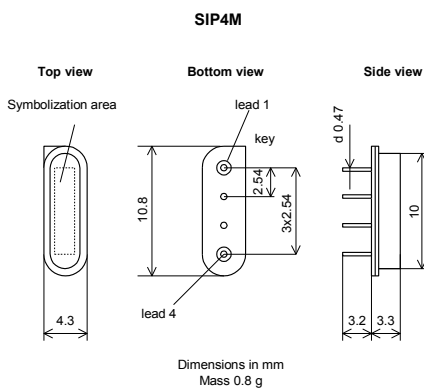
Specifications

Parameter	Unit	Min	Typ	Max
Central frequency	MHz	223.50	224.00	224.50
Inserted loss	dB	1.5	1.8	2.5
Bandwidth @-2dB	MHz	10.00	10.50	11.50
Bandwidth @-40dB	MHz	-	28.00	-
Amplitude ripple	dB	-	1.0	2.0
Ultimate rejection	dB	40.0	50.0	-
Substrate		-	64 YX LiNbO3	-
Temperature range	°C	-55.0	22.0	85.0

Notes:

1. The design, manufacturing process, and specifications of this filter are subject to change.
2. Specification valid for measurements in Microsaw test fixture

Case



Matching

