

IF SAW 24.6 MHz Filter

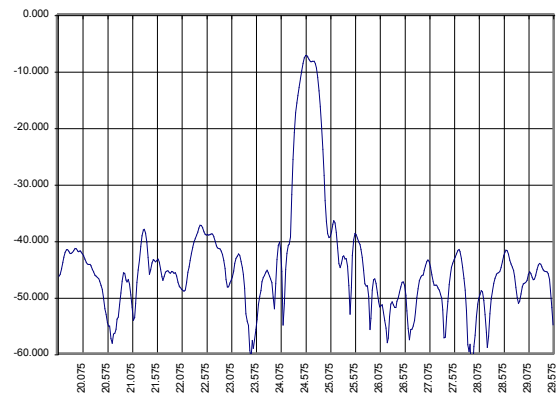
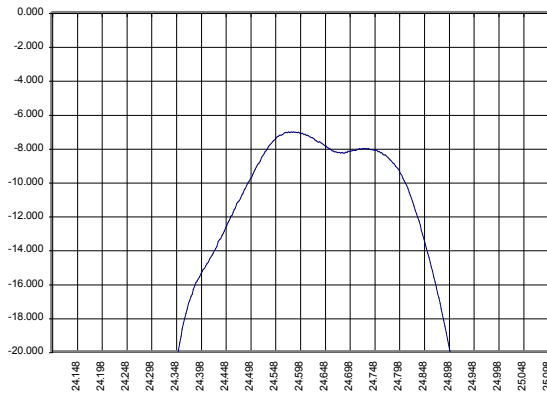
Bandwidth 0.25 MHz

Part Number M109-24.6M1

Complies with Directive 2002/95/EC (RoHS)

PRELIMINARY DATA

Typical performance



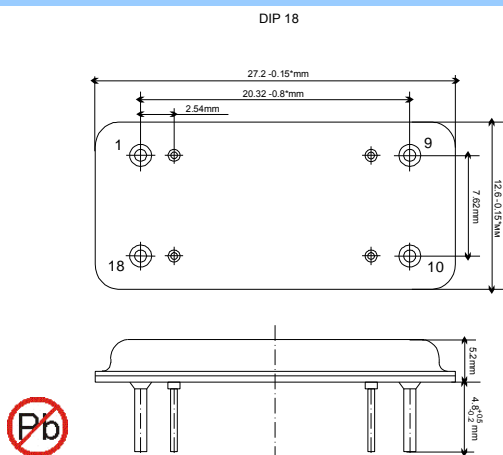
Specifications

Parameter	Unit	Min	Typ	Max
Central frequency	MHz	24.55	24.60	24.65
Inserted loss	dB	-	6.5	9.0
Bandwidth @ -1.5dB	MHz	-	0.25	-
Bandwidth @ -20dB	MHz	-	0.63	0.76
Amplitude ripple	dB	-	-	1.5
Ultimate rejection	dB	20	25	-
Substrate	-	-	128 YX LiNbO3	-
Temperature range	^o C	-55	22	85

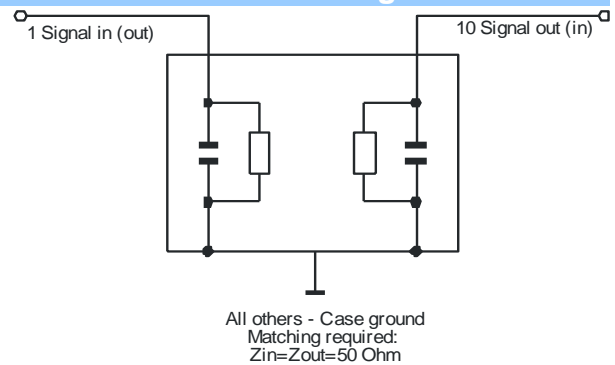
Notes:

1. The design, manufacturing process, and specifications of this filter are subject to change.
2. Specification valid for measurements in Microsaw test fixture.

Case



Matching



Input/output matching: series capacitor 10-120 pF and parallel inductor 797 nH at input port, series capacitor 10-120 pF and parallel inductor 400 nH at output port