

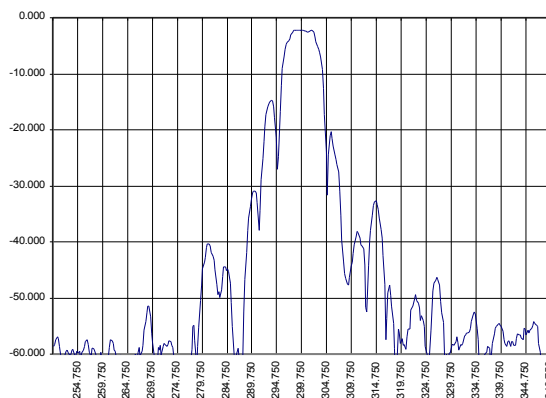
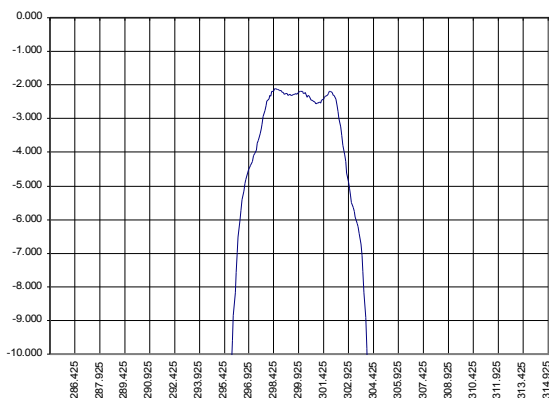
# Low Loss SAW 300 MHz Filter

Bandwidth 6.3 MHz

Part Number M058-300M1

PRELIMINARY DATA

## Typical performance



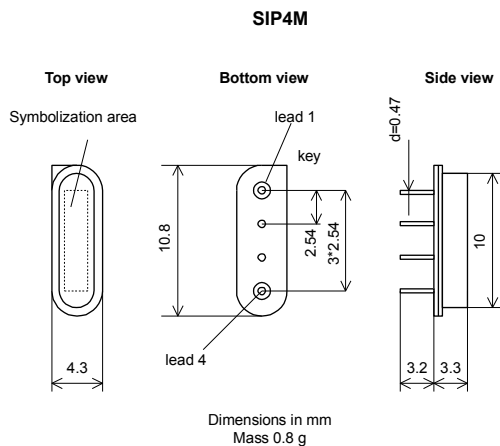
## Specifications

Parameter	Unit	Min	Typ	Max
Central frequency	MHz	299.7	300.0	300.3
Inserted loss (unmatched)	dB	-	2.0	2.5
Bandwidth @-3dB	MHz	-	6.3	-
Bandwidth @-30dB	MHz	-	19	-
Amplitude ripple	dB	-	2.1	2.8
Ultimate rejection	dB	-	50	-
Substrate	-	-	64 LNO	-
Temperature range	°C	-55	22	85

### Notes:

1. The design, manufacturing process, and specifications of this filter are subject to change.
2. Specification valid for measurements in Microsaw test fixture

## Case



## Matching

