

# LOW IL SAW 303.5 MHz Filter

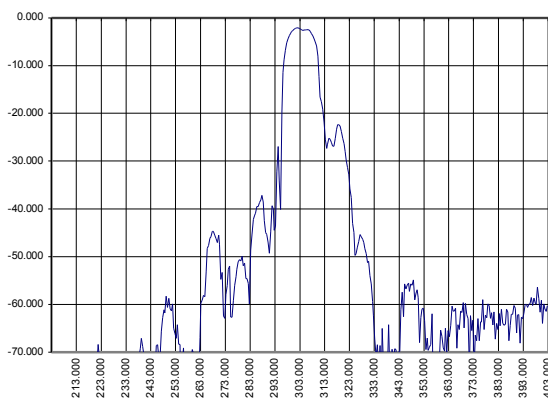
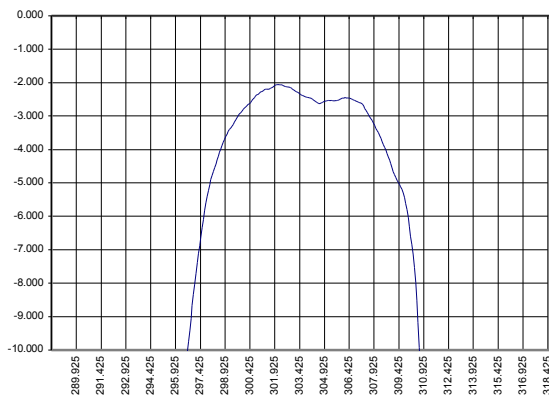
Bandwidth 9.5 MHz

Part Number M095-303.5M1

Complies with Directive 2002/95/EC (RoHS)

PRELIMINARY DATA

## Typical performance



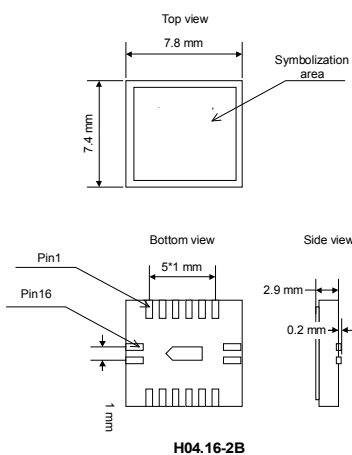
## Specifications

Parameter	Unit	Min	Typ	Max
Central frequency	MHz	303.2	303.5	303.7
Inserted loss	dB	-	2.0	2.3
Bandwidth @-2dB	MHz	9.5	10.0	-
Bandwidth @-30dB	MHz	-	28	-
Amplitude ripple	dB	-	0.8	1.1
Ultimate rejection	dB	-	55	-
Substrate	-	-	64 YX LiNbO3	-
Temperature range	°C	-55	22	85

### Notes:

1. The design, manufacturing process, and specifications of this filter are subject to change.
2. Specification valid for measurements in Microsaw test fixture.

## Case



## Matching

