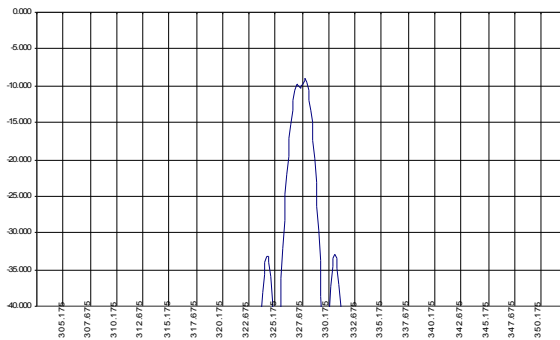


Low Loss SAW 327.8 MHz Filter

Bandwidth 1.2 MHz

Part Number M094-327.8M1

Typical performance



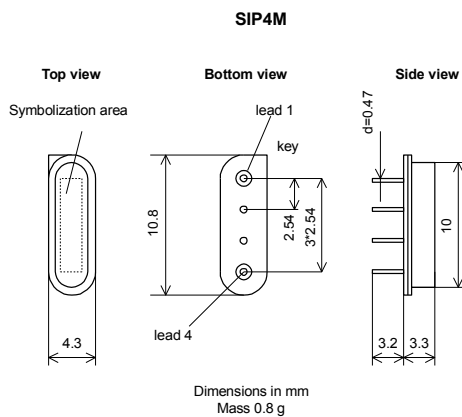
Specifications

Parameter	Unit	Min	Typ	Max
Central frequency	MHz	327.70	327.80	327.90
Inserted loss	dB	8.0	9.0	9.8
Bandwidth @-3dB	MHz	1.2	1.3	-
Bandwidth @-20dB	MHz	-	3.2	-
Bandwidth @-30dB	MHz	-	10.00	-
Amplitude ripple	dB	-	1.8	2.0
Ultimate rejection	dB	-	40.0	-
Substrate		-	Quartz	-
Temperature range	°C	-55.0	22.0	85.0

Notes:

1. The design, manufacturing process, and specifications of this filter are subject to change.
2. Specification valid for measurements in Microsaw test fixture

Case



Matching

