

Low Loss SAW 354.3 MHz Filter

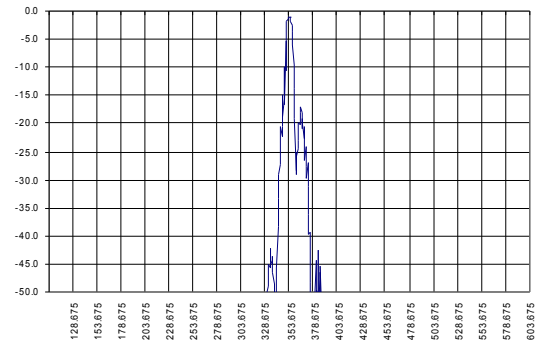
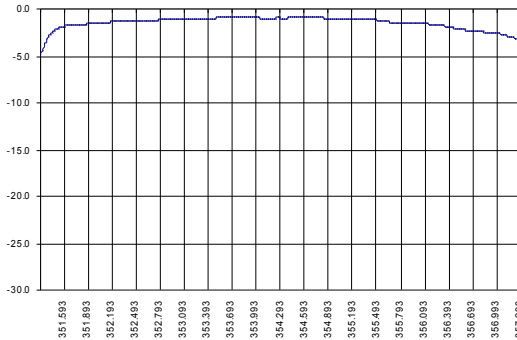
Bandwidth 5.5 MHz

Part Number M053-354.3 M1

Complies with Directive 2002/95/EC (RoHS)

PRELIMINARY DATA

Typical performance



Specifications

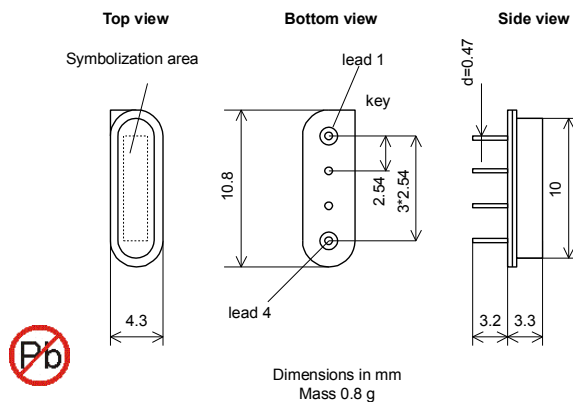
Parameter	Unit	Min	Typ	Max
Central frequency	MHz	353.95	354.3	354.65
Inserted loss (unmatched)	dB	0.8	1.1	1.3
Bandwidth @-2dB	MHz	5.0	5.5	6.0
Bandwidth @-40dB	MHz	-	33.5	-
Amplitude ripple	dB	-	1.5	2.0
Substrate	-	-	36LTO	-
Temperature range	°C	-55	22	85

Notes:

1. The design, manufacturing process, and specifications of this filter are subject to change.
2. Specification valid for measurements in Microsaw test fixture.

Case

SIP4M



Matching

