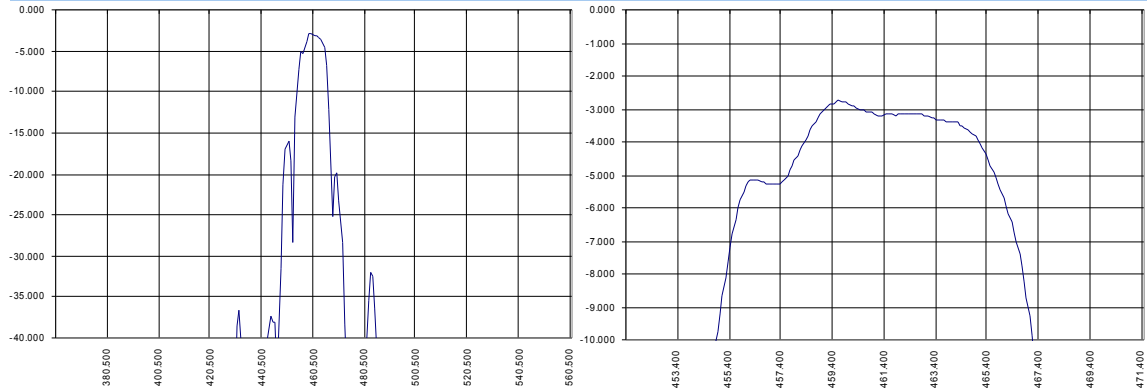


## Low Loss SAW 461.5 MHz Filter Bandwidth 7.5 MHz

Part Number M058-461.5M2

### Typical performance



### Specifications

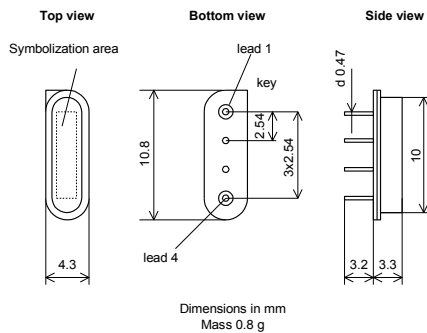
Parameter	Unit	Min	Typ	Max
Central frequency	MHz	460.70	461.50	462.30
Inserted loss	dB	-	2.8	3.2
Bandwidth @ -2dB	MHz	7.00	7.80	8.70
Bandwidth @ -30dB	MHz	-	25.00	-
Amplitude ripple	dB	-	1.0	1.8
Ultimate rejection	dB	-	45.0	-
Substrate		-	128 YX LiNbO <sub>3</sub>	-
Temperature range	°C	-55.0	22.0	85.0

#### Notes :

1. The design, manufacturing process, and specifications of this filter are subject to change.
2. Specification valid for measurements in Microsaw test fixture

### Case

#### SIP4M



### Matching

