

# Low Loss SAW 465.5 MHz Filter

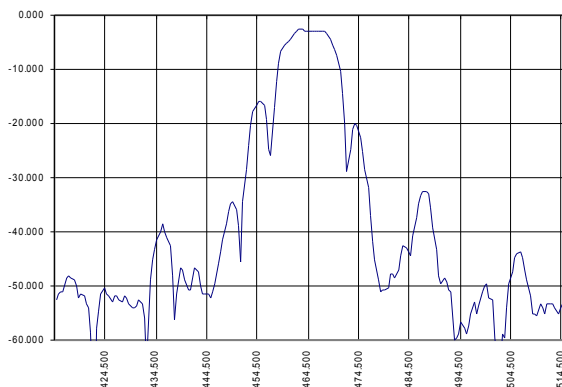
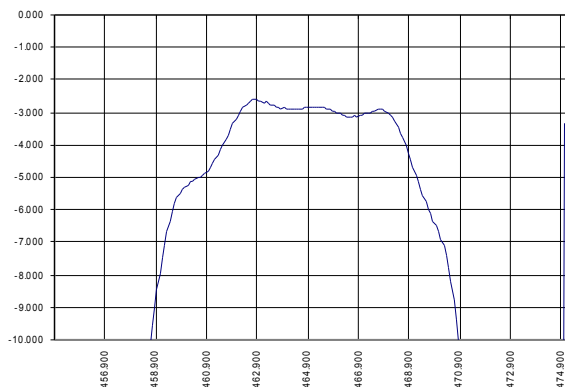
Bandwidth 7.6 MHz

Part Number M058-465.5M1

Complies with Directive 2002/95/EC (RoHS)

PRELIMINARY DATA

## Typical performance



## Specifications

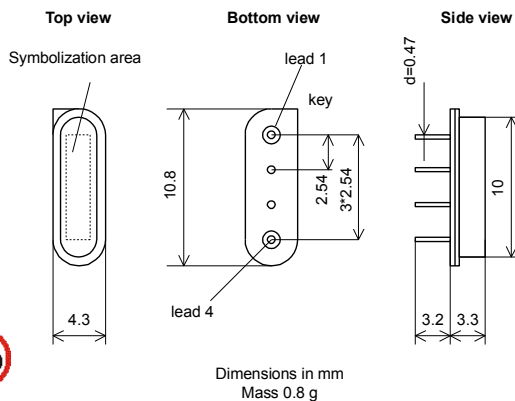
Parameter	Unit	Min	Typ	Max
Central frequency	MHz	465.0	465.5	466.0
Inserted loss	dB	2.0	2.5	3.0
Bandwidth @-2dB	MHz	7.4	7.6	8.8
Bandwidth @-30dB	MHz	-	24.00	-
Amplitude ripple	dB	0.4	0.5	1.0
Ultimate rejection	dB	45	50	-
Substrate	-	-	64 YX LiNbO <sub>3</sub>	-
Temperature range	°C	-55	22	85

### Notes:

1. The design, manufacturing process, and specifications of this filter are subject to change.
2. Specification valid for measurements in Microsaw test fixture.

## Case

SIP4M



## Matching

