

LOW LOSS SAW 465 MHz Filter

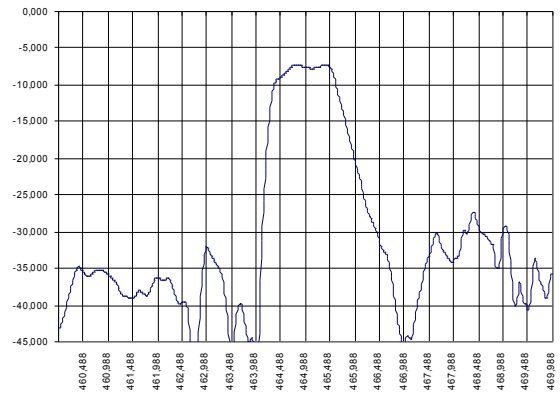
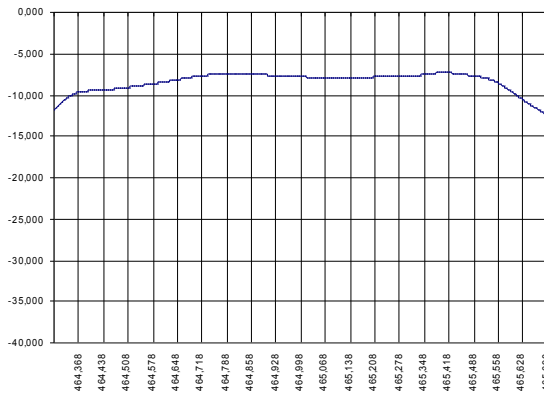
Bandwidth 1.2 MHz

Part Number M204-465M2

Complies with Directive 2002/95/EC (RoHS)

PRELIMINARY DATA

Typical performance



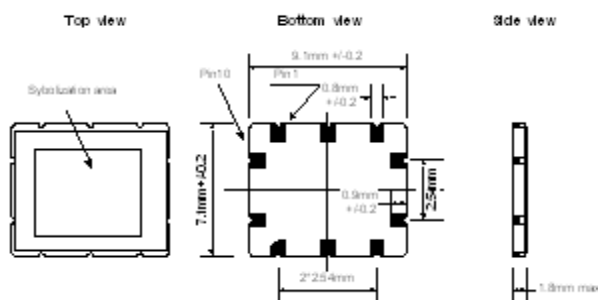
Specifications

Parameter	Unit	Min	Typ	Max
Central frequency	MHz	464.9	465.0	465.1
Inserted loss (matched)	dB	5.5	6.0	10.0
Bandwidth @-3dB	MHz	1.1	1.2	1.3
Bandwidth @-40dB	MHz	-	4	-
Amplitude ripple	dB	-	1	-
Substrate	-	-	36q	-
Temperature range	°C	-55	22	85

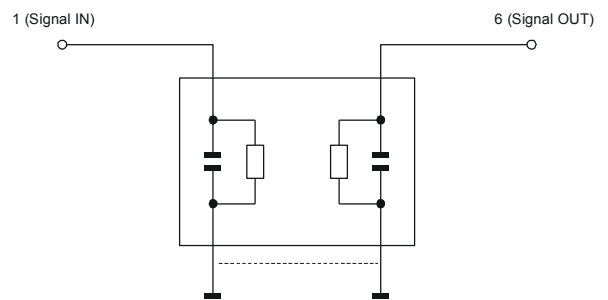
Notes:

1. The design, manufacturing process, and specifications of this filter are subject to change.
2. Specification valid for measurements in Microsaw test fixture

Case



Matching



2-5,7-10 (Gnd)
 Matching: series inductor 33nH and parallel capacitor 15pf at input port,
 series inductor 27 nH and parallel capacitor 8 pf at output port

