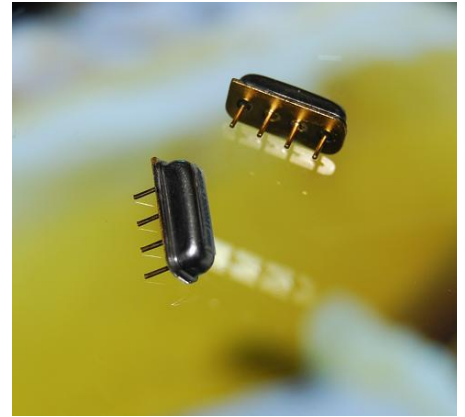


469.9 MHz SAW Filter
Bandwidth 0.45 MHz

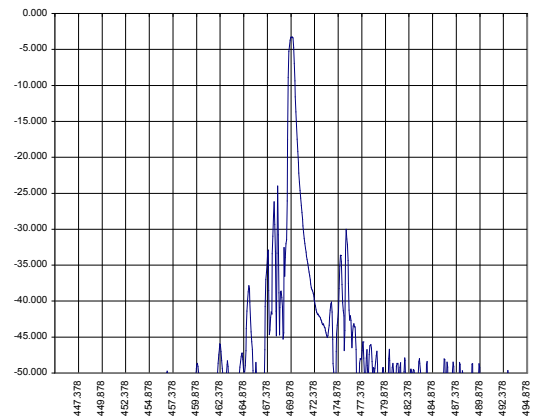
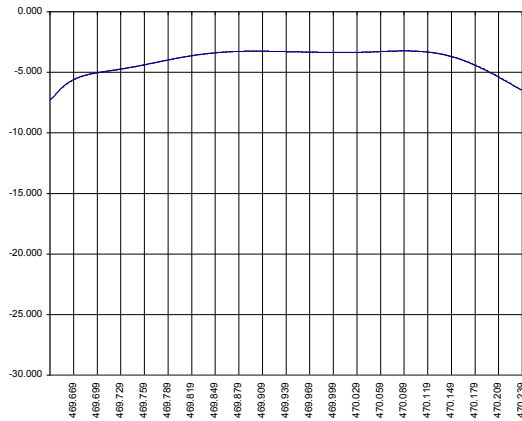
Features

- Low Insertion Loss
- Narrow Band



PRELIMINARY DATA

Typical performance



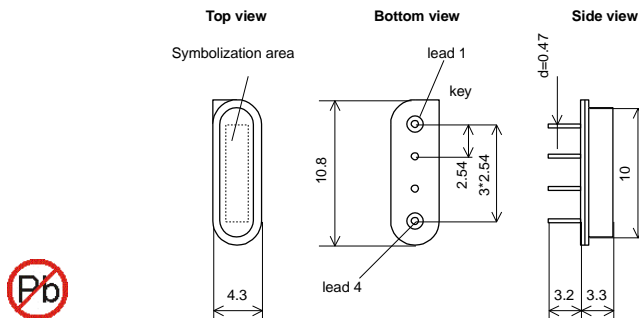
Electrical Specification

Parameter	Unit	Min	Typ	Max
Central frequency	MHz	469.87	469.90	469.96
Inserted loss	dB	-	3.5	4.0
Bandwidth @ -2dB	MHz	0.40	0.45	-
Bandwidth @ -20dB	MHz	1.3	1.4	-
Amplitude ripple	dB	0.4	0.5	1.2
IL variation over temperature range	dB	-	1.2	-
Ultimate rejection	dB	-	45	-
Temperature coefficient	-	-	$60 \cdot 10^{-9} / ^\circ\text{C}^2$	-
Turnover temperature	$^\circ\text{C}$	20	33	40

Notes

Microsaw reserves the right to make changes to the product and corresponding product specifications without notice. All data is valid for measurements in Microsaw's test fixture under Measurement Conditions: Ambient Temperature 22 $^\circ\text{C}$, Input Power 0 dBm, Input/Output Impedance 50 Ω .

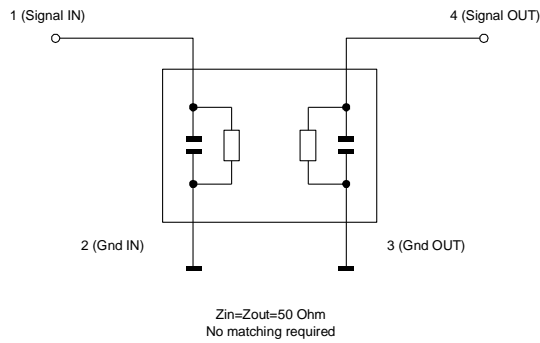
Package



Dimensions in mm
Mass 0.8 g



Matching Circuit



Additional Information

Temperature range	-55...85 °C
Substrate	36YX Quartz
Package	SIP4M
Complies with Directive	2002/95/EC (RoHS)

Important Warnings

Electric Sensitive Device
 See soldering chart before using
 See frequency shifts depending on temperature

Links to Technical Information

Soldering profile: www.microsaw.fi/pdf/soldering-chart.pdf
 Frequency Shifts: www.microsaw.fi/pdf/frequency-shifts-table.pdf

Links to Company Information

Services: www.microsaw.fi/servicesandprices.php
 Contacts: www.microsaw.fi/contacts.php