

Low Loss SAW 486.3 MHz Filter

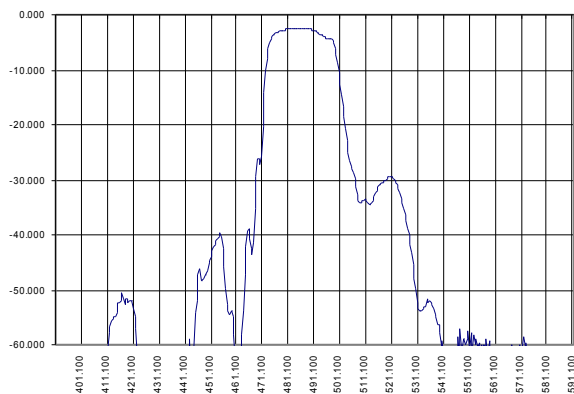
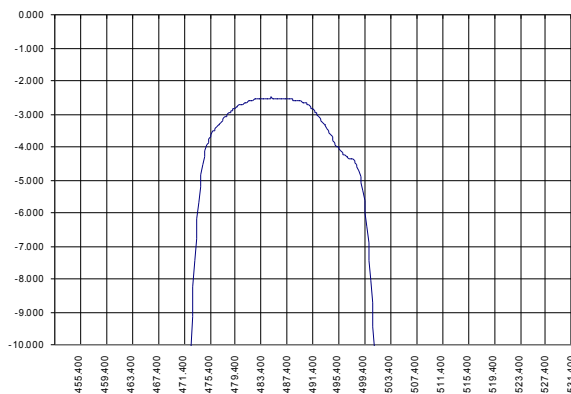
Bandwidth 24 MHz

Part Number M084-486.3M1

Complies with Directive 2002/95/EC (RoHS)

PRELIMINARY DATA

Typical performance



Specifications

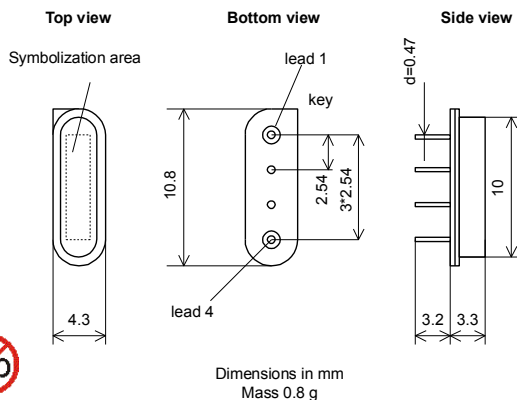
Parameter	Unit	Min	Typ	Max
Central frequency	MHz	487.1	486.3	485.5
Inserted loss	dB	-	2.5	3.0
Bandwidth @-2dB	MHz	22	24	26
Bandwidth @-20dB	MHz	-	32.6	-
Bandwidth @-30dB	MHz	-	56	-
Amplitude ripple	dB	-	0.8	1.6
Ultimate rejection	dB	-	60	-
Substrate	-	-	64 LNO	-
Temperature range	°C	-55	22	85

Notes:

1. The design, manufacturing process, and specifications of this filter are subject to change.
2. Specification valid for measurements in Microsaw test fixture.

Case

SIP4M



Matching

