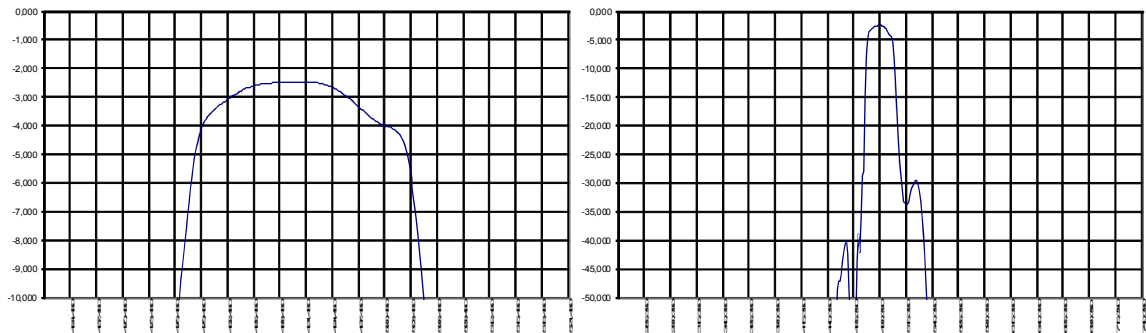


Low Loss SAW 491.6 MHz Filter

Bandwidth 24 MHz

Part Number M084-491.6M1

Typical performance



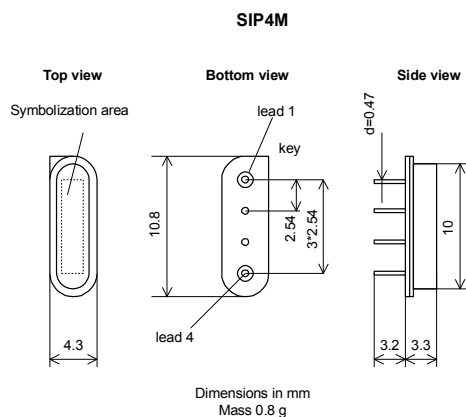
Specifications

Parameter	Unit	Min	Typ	Max
Central frequency	MHz	490.10	491.60	493.10
Inserted loss	dB	-	1.9	2.5
Bandwidth @-2dB	MHz	20.0	23.3	25.0
Bandwidth @-25dB	MHz	-	35.0	-
Bandwidth @-30dB	MHz	-	60.00	-
Amplitude ripple	dB	0.4	0.6	1.0
Ultimate rejection	dB	40.0	50.0	-
Substrate	-	-	64 LNO	-
Temperature range	°C	-55.0	22.0	85.0

Notes:

1. The design, manufacturing process, and specifications of this filter are subject to change.
2. Specification valid for measurements in Microsaw test fixture

Case



Matching

