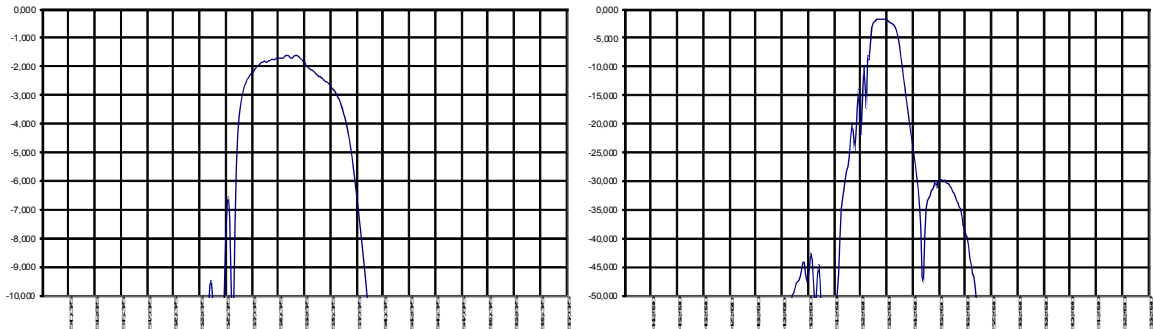


Low Loss SAW 533 MHz Filter

Bandwidth 8.8 MHz

Part Number M053-533M1

Typical performance



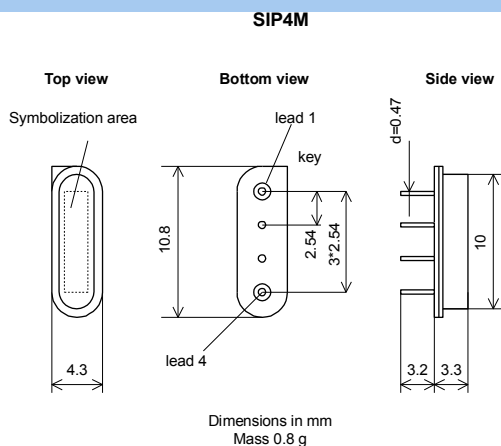
Specifications

Parameter	Unit	Min	Typ	Max
Central frequency	MHz	532.00	533.00	534.00
Inserted loss	dB	1.6	1.6	1.9
Bandwidth @-2dB	MHz	8.0	8.8	9.0
Bandwidth @-25dB	MHz	-	25.5	-
Bandwidth @-30dB	MHz	-	42.00	-
Amplitude ripple	dB	0.4	0.6	1.0
Group Delay Ripple	nsec	-	20.0	-
Ultimate rejection	dB	40.0	50.0	-
Substrate		-	36 LTO	-
Temperature range	°C	-55.0	22.0	85.0

Notes:

1. The design, manufacturing process, and specifications of this filter are subject to change.
2. Specification valid for measurements in Microsaw test fixture

Case



Matching

