

SAW 60 MHz Filter

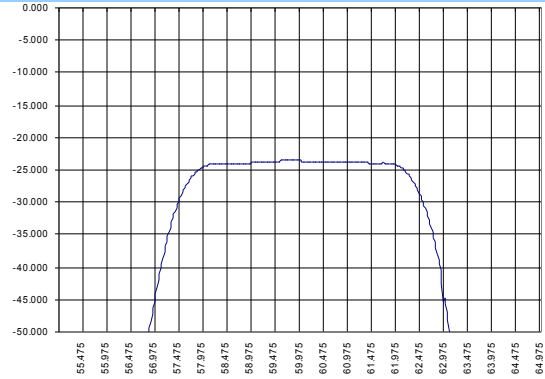
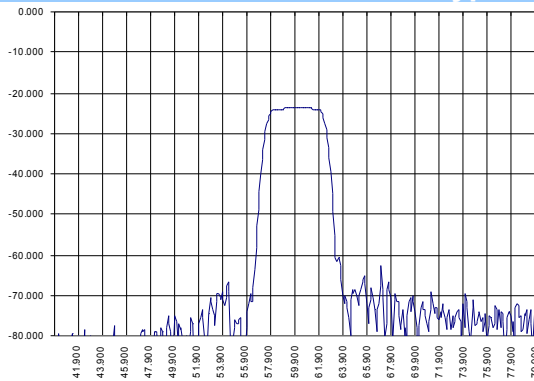
Bandwidth 4 MHz

Part Number M113-60M1

Complies with Directive 2002/95/EC (RoHS)

PRELIMINARY DATA

Typical performance



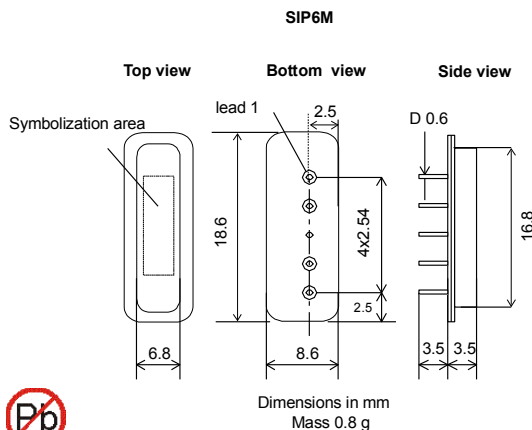
Specifications

Parameter	Unit	Min	Typ	Max
Central frequency	MHz	59.90	60.00	60.10
Inserted loss	dB	-	23.0	24.0
Bandwidth @-1dB	MHz	4.00	4.08	4.10
Bandwidth @-3dB	MHz	-	4.60	-
Bandwidth @-40dB	MHz	-	6.70	-
Amplitude ripple	dB	-	0.3	0.4
Group Delay Ripple	nsec	-	40.0	-
Delay	nsec	-	1300.0	-
Ultimate rejection	dB	35.0	40.0	-
Substrate	-	-	112 LTO	-
Temperature range	°C	-45	22	65

Notes:

1. The design, manufacturing process, and specifications of this filter are subject to change.
2. Specification valid for measurements in Microsaw test fixture.

Case



Matching

