

Low Loss SAW 692 MHz Filter

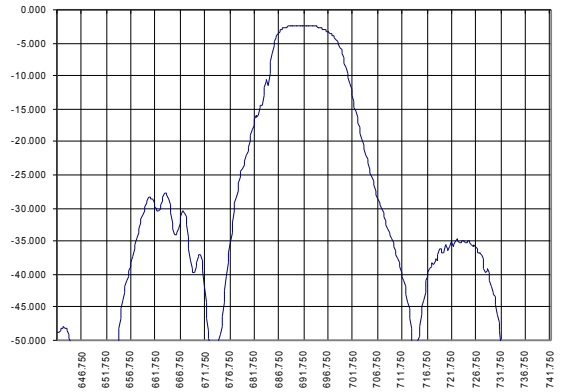
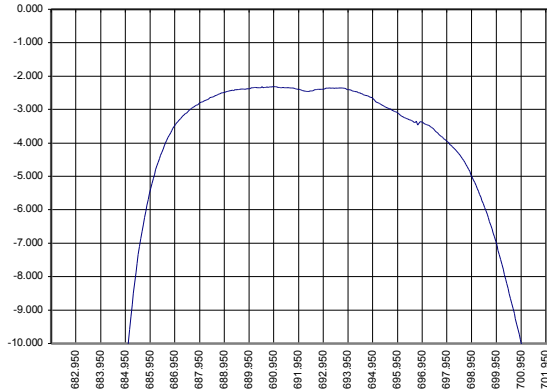
Bandwidth 11.5 MHz

Part Number M075-692M1

Complies with Directive 2002/95/EC (RoHS)

PRELIMINARY DATA

Typical performance



Specifications

Parameter	Unit	Min	Typ	Max
Central frequency	MHz	690.6	692.0	693.4
Inserted loss	dB	-	2.3	3.5
Bandwidth @-2dB	MHz	-	11.5	-
Bandwidth @-40dB	MHz	-	73.25	-
Amplitude ripple	dB	-	-	2
Ultimate rejection	dB	40.0	-	-
Substrate	-	-	36 YX LiTaO3	-
Temperature range	°C	-55	22	85

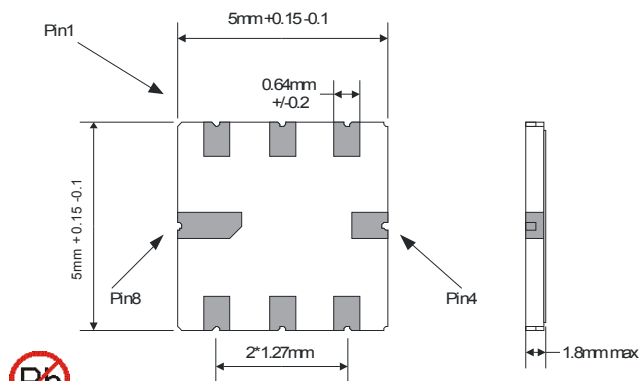
Notes:

1. The design, manufacturing process, and specifications of this filter are subject to change.
2. Specification valid for measurements in Microsaw test fixture.

Case

Bottom view

Side view



Matching

