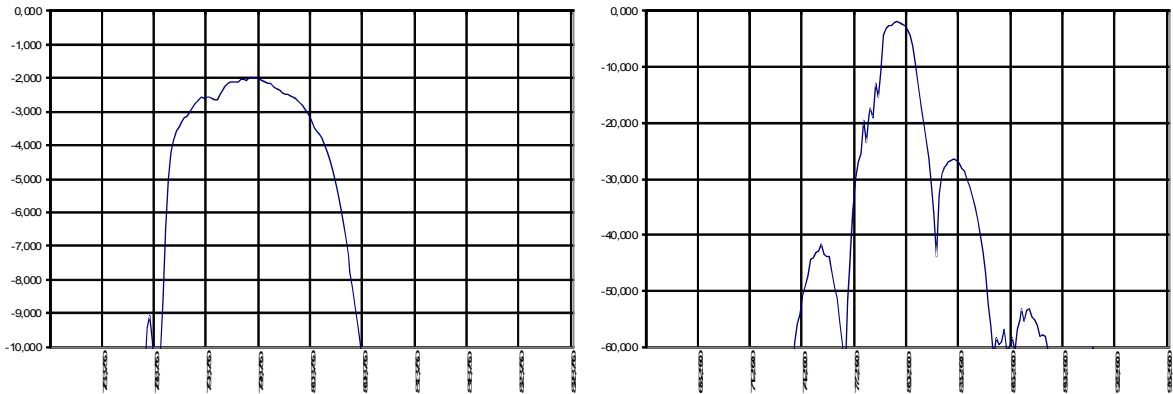


Low Loss SAW 800 MHz Filter

Bandwidth 14.5 MHz

Part Number M053-800M2

Typical performance



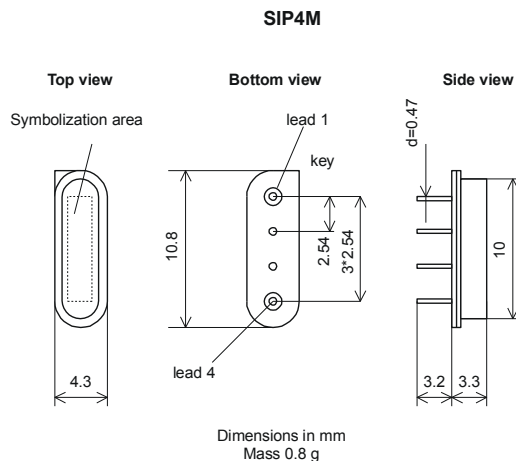
Specifications

Parameter	Unit	Min	Typ	Max
Central frequency	MHz	798.00	800.00	801.00
Inserted loss	dB	1.7	1.9	2.1
Bandwidth @-2dB	MHz	14.0	14.5	15.0
Bandwidth @-30dB	MHz	-	68.00	-
Amplitude ripple	dB	-	0.6	1.0
Group Delay Ripple	nsec	-	10.0	-
Ultimate rejection	dB	40.0	50.0	-
Substrate		-	36 LTO	-
Temperature range	°C	-55.0	22.0	85.0

Notes:

1. The design, manufacturing process, and specifications of this filter are subject to change.
2. Specification valid for measurements in Microsaw test fixture

Case



Matching

