

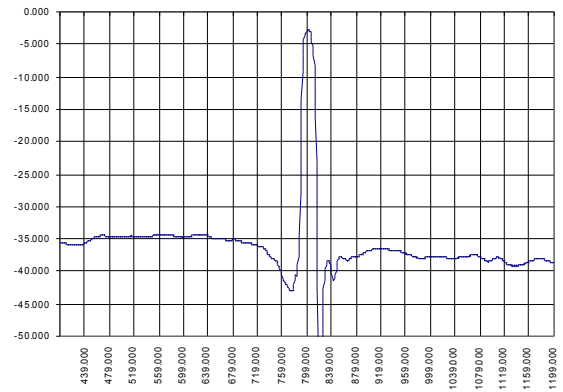
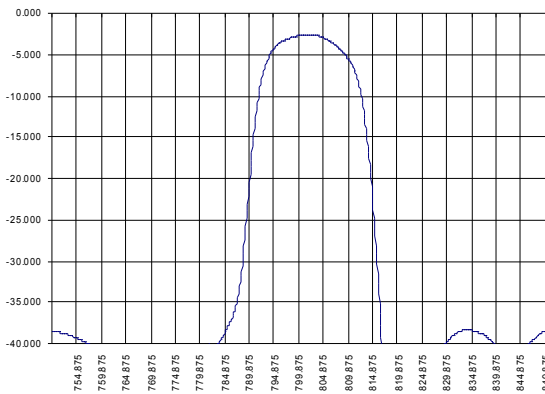
Low Loss Ladder SAW 800 MHz Filter

Bandwidth 11 MHz

Part Number M062-800M1

PRELIMINARY DATA

Typical performance



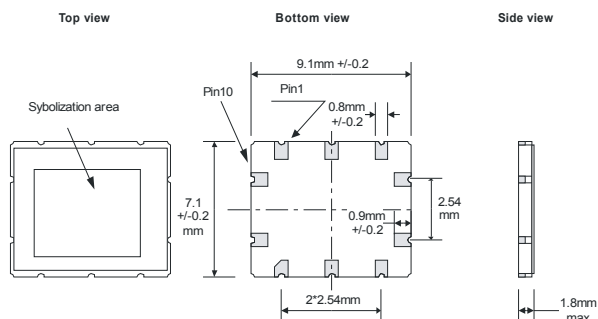
Specifications

Parameter	Unit	Min	Typ	Max
Central frequency	MHz	799	800	802
Inserted loss (unmatched)	dB	1.7	2.5	3.0
Bandwidth @-1dB	MHz	10	11	-
Bandwidth @-30dB	MHz	-	30	-
Amplitude ripple	dB	-	0.5	-
Ultimate rejection	dB	-	35	-
Substrate	-	-	42LTO	-
Temperature range	°C	-55	22	85

Notes:

1. The design, manufacturing process, and specifications of this filter are subject to change.
2. Specification valid for measurements in Microsaw test fixture

Case



Matching

