

# Low Loss SAW 948 MHz Filter

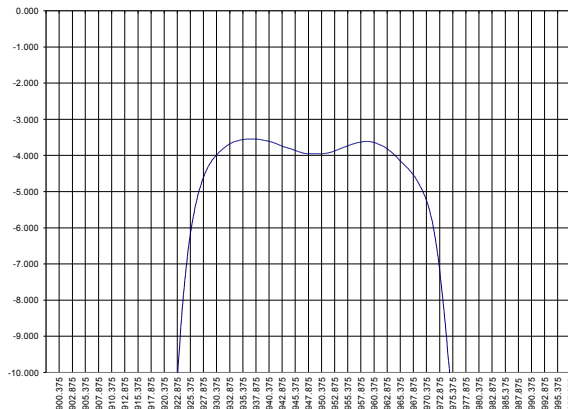
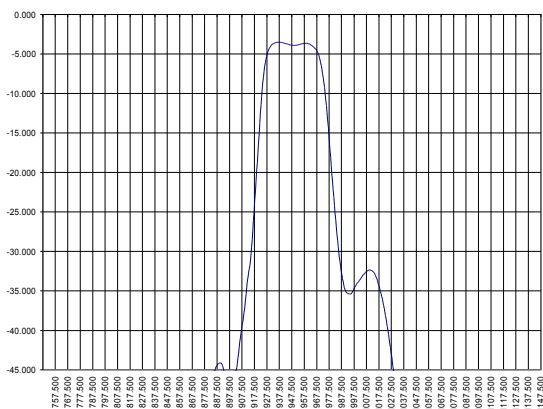
Bandwidth 45 MHz

Part Number M054-948M1

Complies with Directive 2002/95/EC (RoHS)

PRELIMINARY DATA

## Typical performance



## Specifications

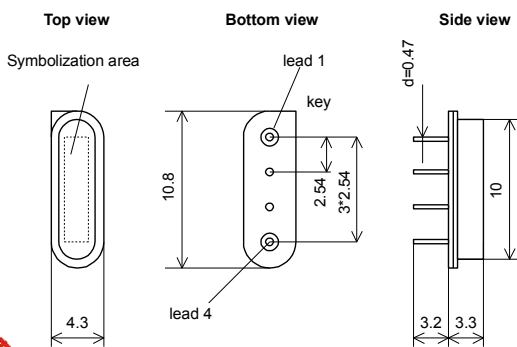
Parameter	Unit	Min	Typ	Max
Central frequency	MHz	947.0	948.0	949.0
Inserted loss (unmatched)	dB	2.5	3.0	3.6
Bandwidth @-2dB	MHz	-	45	-
Bandwidth @-30dB	MHz	-	75	-
Amplitude ripple	dB	-	-	2
Group Delay ripple @ 40MHz bandwidth	nsec	-	+/-10	-
Ultimate rejection	dB	-	40	-
Substrate	-	-	64LNO	-
Temperature range	°C	-55	22	85

### Notes:

1. The design, manufacturing process, and specifications of this filter are subject to change.
2. Specification valid for measurements in Microsaw test fixture.

## Case

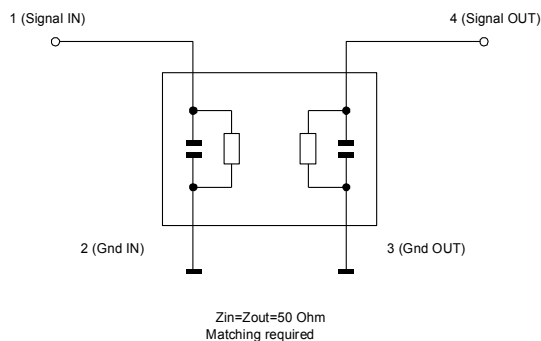
SIP4M



Dimensions in mm  
Mass 0.8 g



## Matching



$Z_{in}=Z_{out}=50 \text{ Ohm}$   
Matching required